

# WINGSONIC® TOOLFREE

The Pioneer of Toolfree HDD Enclosure Since 2002

- Fits 2 x 2.5" HDD in a 3.5" space. Supports 2.5" SSDs/HDDs (6.0Gbps) ; 7~9.5mm HDD.
- Patent NSS connector lengthen HDD hot swap cycle more than 50,000 times.
- Trayless design - Flexibility and Convenience. LED indicator let users check working status any time.
- Aluminum panel with lock. Metal housing and structure - Rugged and Stable. Mechanical lock keeps HDD working securely.



## 2 x 2.5" HDD in a 3.5" space

Practical computer peripheral device to upgrade the old computer chassis.



## Tool-Free & Tray-less Design

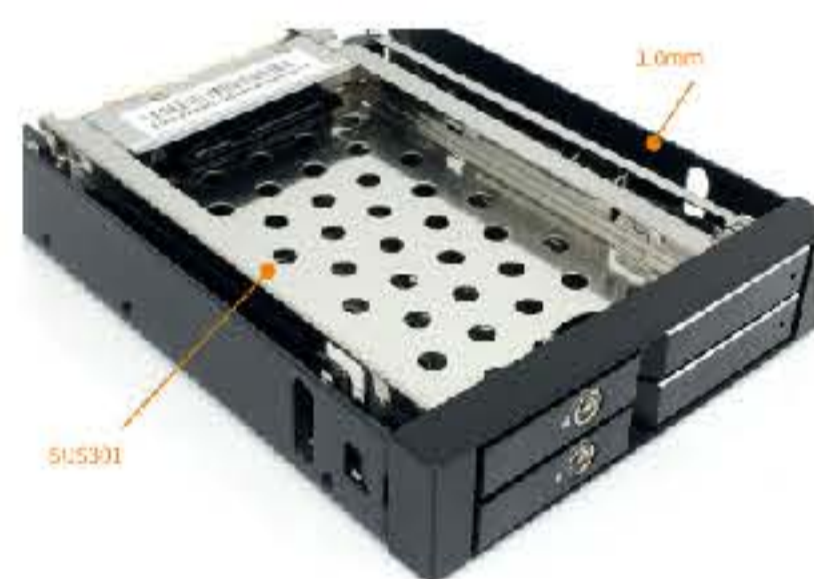
It is easy to take out the hard drive without taking off the cover of the computer chassis.



Non-scratch SATA connector (NSS) allows Hard Drive hot-swap life cycle for more than 50,000 duty cycles.



Drive Bay with Lock keeps HDD working securely.



- Metal housing and structure - Rugged and Stable
- 1.0mm SPCC
- SUS301



## Elegant Aluminum Panel

An aluminum plate transform to a high quality and high strength aluminum panel.



## Package Content

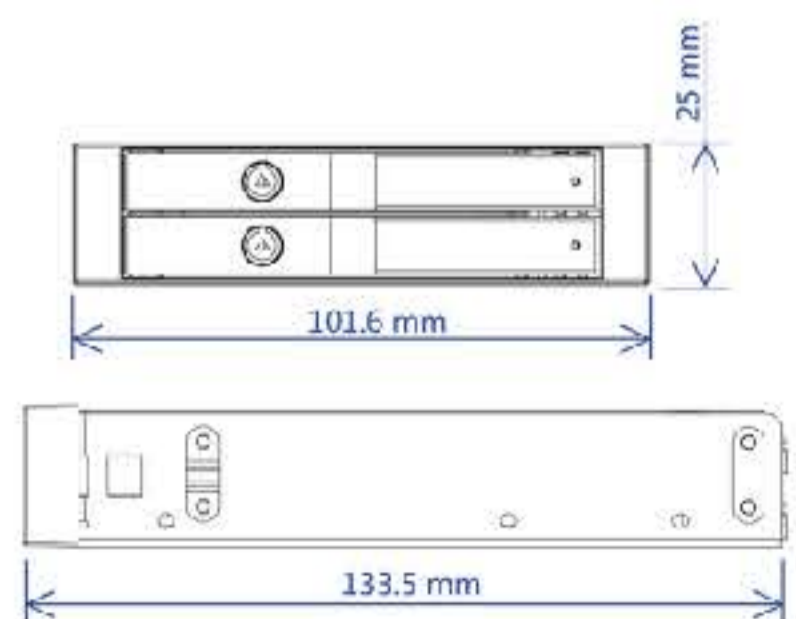


- Connect the cables
- LED : 4Pins
- Power : 15Pins
- Data : 7Pins
- All cables have the clips to connect with the NSS connector locking port which avoid cables falling off or becoming lose in transit.

Item	1GB	1000MB	5GB	10GB	15GB
Seq	500.6	479.5	508.41	508.41	508.41
4K	450.7	295.5	55.44	55.44	55.44
4K-64	34.23	83.55	55.04	55.04	55.04
4K-1M	368.2	301.1	55.04	55.04	55.04

## Performance Test Results

Speed varies with the HDD



## Product Size



- If there's no 3.5" floppy space in the computer. You may buy together with - MRA916 5.25 inch to 3.5 inch Drive Bay Mounting Bracket.
- Black Aluminum