

# WINGSONIC® TOOLFREE

The Pioneer of Toolfree HDD Enclosure Since 2002

## WINGSONIC MRA201P 3.5 inch SATA/SAS 6G Mobile Rack Trayless HDD Enclosure For 5.25" Bay With Power Keylock security

- 3.5 inch SATA/SAS 6G Mobile Rack Trayless HDD Enclosure For 5.25" Bay With Power Keylock security.
- Patent NSS connector lengthen HDD hot swap cycle more than 50,000 times.

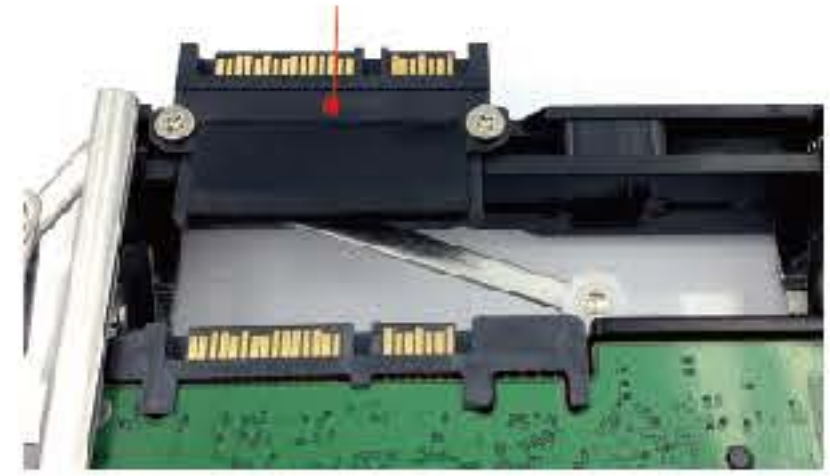


Practical computer peripheral device to upgrade the old computer chassis.



### Tool-Free & Tray-less Design

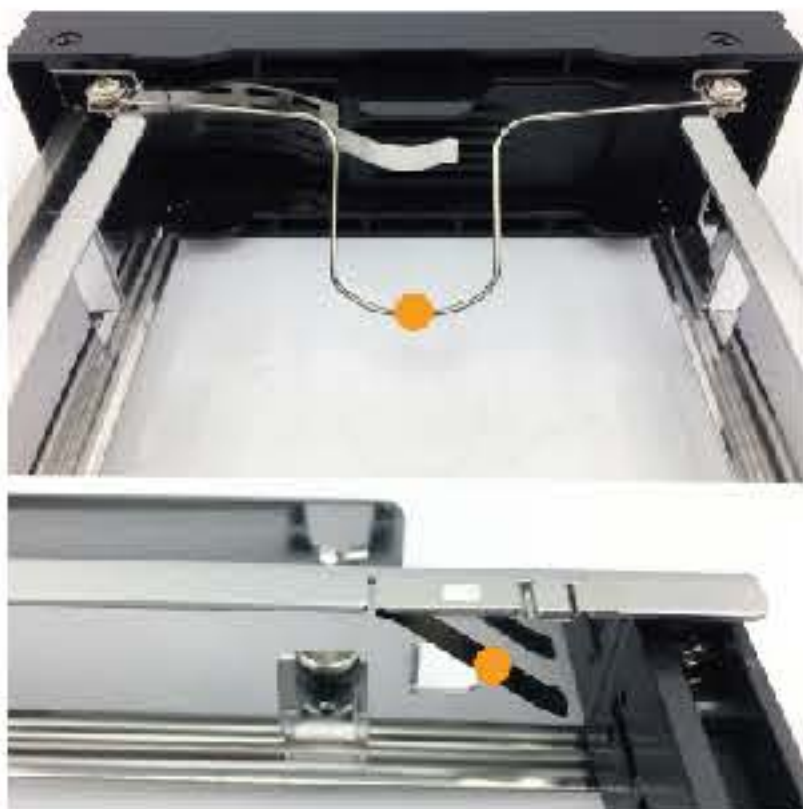
It is easy to take out the hard drive without taking off the cover of the computer chassis.



Non-scratch SATA connector (NSS) allows Hard Drive hot-swap life cycle for more than 50,000 duty cycles.



It includes 4 anti-vibration silicon rubbers on two sides of products to absorb the vibration from moving and resonance.



Add low cost of metal components to support thinner HDD in vertical PC environment.



Drive Bay with Power key lock keeps HDD working securely, insert the provided key into the security lock and turn the key clockwise 90° to lock the door and power ON, and then remove the key.



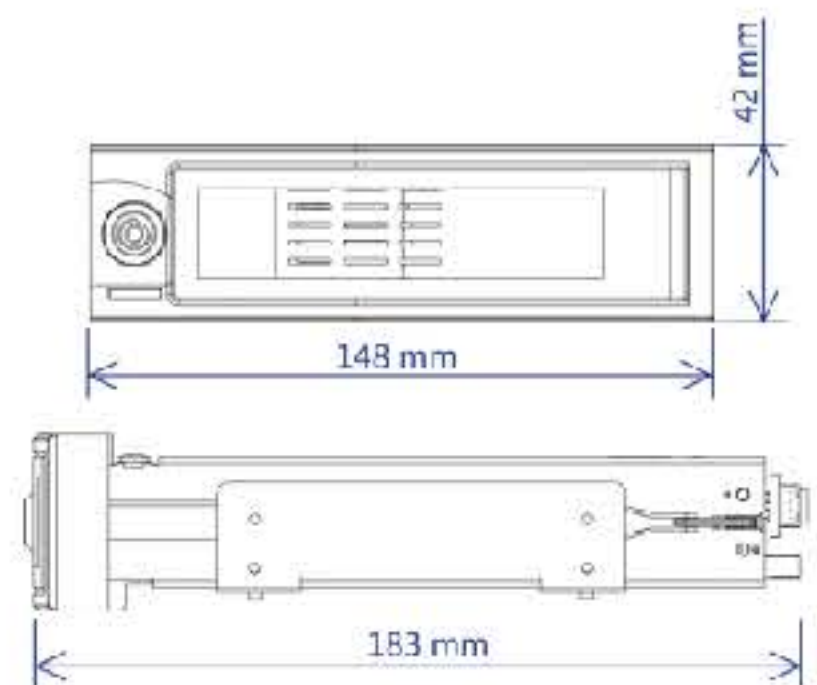
Metal housing and structure - Rugged and Stable. (1.0mm SPCC)



Connect the cables

Power : 15Pins or Molex 4Pins

Data : 7Pins



Product Size

