

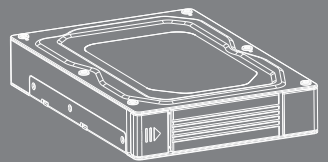
142mm

100mm

100mm

MRA26253
Dual 2.5" to 3.5" SATA HDD Converter

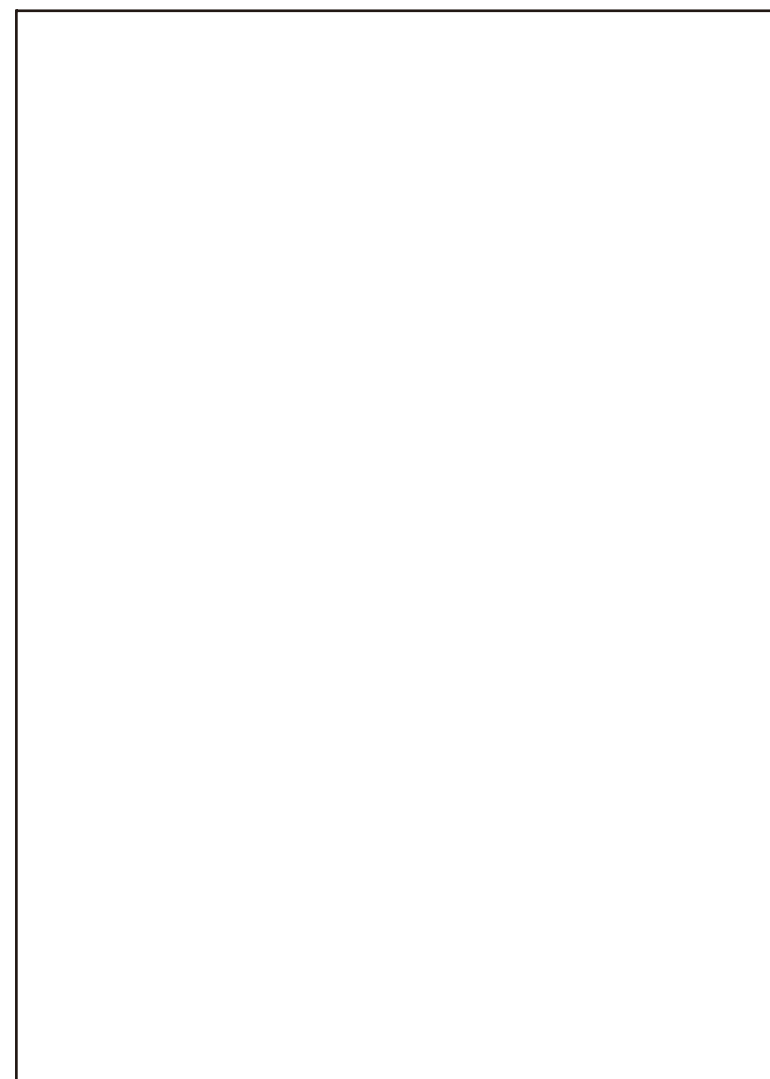
MRA26253 MANUAL



MRA26253 MANUAL

CE FC

MRA26253 is an ideal storage device that allows 2x2.5" SATA/SSD or HDD to fit in a 3.5" HDD case. With built-in JBOD/RAID 1/RAID 0/NOR mode, providing HDD turbo, back-up and capacity expanding function.



English

Features:

Feel the high-end material as well as the heat dissipation from the aluminum alloy case. Patent NSS connector supports 50,000 cycles hot-swap, giving HDD a safe and durable environment. Wingsonic's unique screw-less and tool-less design allows you to swap/manage your data in seconds. Built-in optional Raid modes, provide high write/read speed, data back-up and capacity expanding. Fits international standard 3.5" HDD spec, can be assembled into cases, enclosures and external storages with the standard screw holes. Perfect storage equipment for professional DIY users and IT workers.

Specifications:

- Interface: SATA III
- Material: Aluminium+SPCC+ABS
- Color: Silver (Top cover), Black (body)
- RAID: JBOD, RAID1, RAID0, NOR
- Apply to HDD: 2.5" 9.5mm SATA HDD/SSD
- Transfer Speed: 6.0Gb/s
- Application: All 3.5" HDD slot position
- Net Weight: 252g
- Dimensions: 146.4(L) x 101.5(W) x 26.5(H)mm
- OS: Windows / Mac
- Operating Temperature: 0°C-55°C

Package content:

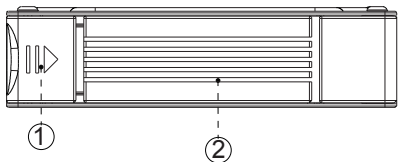
MRA26253 *1
Manual *1
Screws *4

01

English

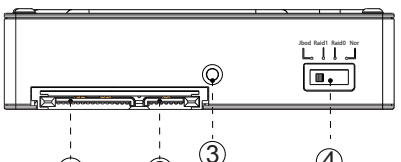
Front panel:

1. Front button
2. Front door



Rear panel:

1. SATA Power Port
2. SATA Data Port
3. LED Indicator
4. RAID setting switch



About the LED indicators

The converter features an LED on the back of the device. For more information about what the LEDs signify, see the table below.

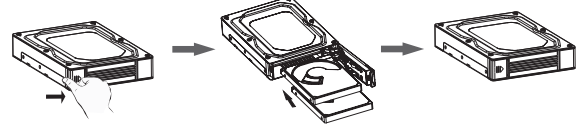
LED behavior	Significance
No LEDs are illuminated	Normal status
Red LED is illuminated	Top drive is experiencing an error
Blue LED is illuminated	Bottom drive is experiencing an error
Red and blue LED is blinking	RAID is being rebuilt

02

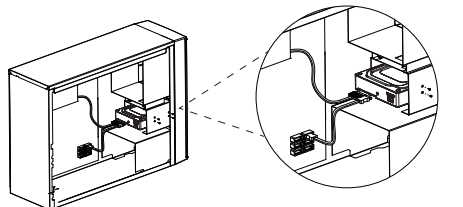
English

Basic use:

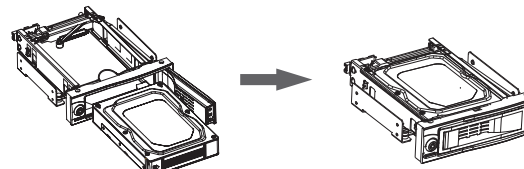
1. Switching the Raid mode as you wish, then push the Front button to the right and open the Front door. Gently put the 2.5" HDD into the MRA26253.



2. A Put MRA26253 into 3.5" HDD slot position, Fix two screws on each side, four screws in total.



B. MRA26253 could be applied to any of wingsonic's 3.5" products (both internal and external) for instance MRA201/401/602.



03

English

3. Power on the computer. Depending on the version of Windows OS that you're running, do one of the following:
 - On your desktop, right-click My Computer and click Manage.
 - On your desktop, right-click Computer and click Manage.
 - Click the Start button or Windows icon. Enter compmgmt.msc and press Enter.
4. On the Computer Management screen, click Disk Management.
5. A dialog window appears that asks you to initialize the drive. Depending on the version of Windows that you're running, you have the option to create either an MBR or a GPT disk.
6. Locate the disk that is labeled as Unallocated. To confirm that the drive is the correct one, check the drive capacity.
7. Right-click the section of the window that says Unallocated and click New Partition.
8. To initialize the drive in the format of your choice, complete the on-screen instructions.
9. When the drive is successfully installed, it appears under My Computer or Computer with a drive letter assigned to it.

Warning! When you complete the above steps, all of the data on your drive will be deleted. If your drive has data on it that you require, you should create a backup file or use a different drive.

Note:

1. Raid Setting Switch: Power off the product, switching the Raid mode as you wish, power on the product and complete the setting. (Warning! When you complete the setting, all of the data on your drive will be deleted. If your drive has data on it that you require, you should create a backup file or use a different drive.)
2. Do not switch Raid mode under usage, or the data on your drive will be deleted.
3. Rebuild time may vary from different drives. The read / write speed might be slower during rebuild.
4. For NOR mode, the mother board must support port multiplier function, then the computer will show two separate hard drives, if the mother board don't support port multiplier function, there will be only one hard drive shown and available for use.

For the latest information, technical specifications, and support for this product, please visit www.wingsonic.com.tw/MRA26253

04

正反印刷,装订成本

繁體中文

產品特色:

- 雙盤位免工具抽取式設計
- 鋁合金外殼,突顯高階與良好的散熱性能
- NSS專利連接器,支持5萬次熱插拔,安全耐用
- 獨特的無螺絲及免工具設計,快速完成硬碟更換動作
- 內置供使用者多種選擇的RAID功能,大大提高存儲速度、資料備份,存儲空間擴展等多種應用
- 符合國際標準的3.5" 硬碟規格,標準安裝內置於主機殼,3.5" 外接盒中
- 電腦玩家與IT人員的絕佳存儲裝置

產品規格:

- 介面: SATA III
- 材質: Aluminium+SPCC+ABS
- 顏色: 銀色 (上蓋), 黑色 (本體)
- RAID功能: JBOD, RAID1, RAID0, NOR
- LED燈, 磁盤故障: 上盤位亮紅燈, 下盤位亮藍燈, 重建: 上盤位紅燈閃爍, 下盤位藍燈閃爍. (注意: 重建時間較長, 完成後LED燈熄滅)
- 適用硬碟: 2.5" 9.5mm厚度及以下SATA HDD/SSD
- 傳送速率: 6.0Gb/s
- 產品應用: 所有3.5" 硬碟槽位
- 淨重: 252g
- 尺寸大小: 146.4(L) x 101.5(W) x 26.5(H)mm
- 作業系統: Windows / Mac
- 工作溫度: 0°C-55°C

包裝內容:

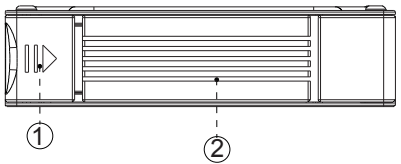
MRA26253 *1
說明書 *1
螺絲 *4

05

繁體中文

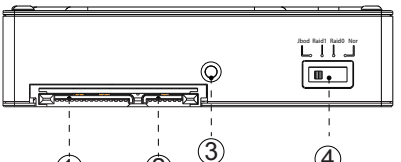
前面板:

1. 門扣按鈕
2. 門組



後面板:

1. SATA電源接口
2. SATA數據接口
3. LED指示燈
4. RAID切換開關



RAID說明:

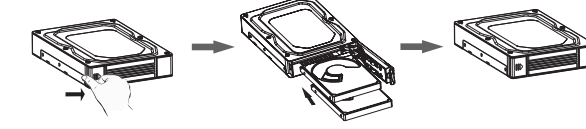
1. JBOD (SPAN): 兩顆硬碟合併為一顆硬碟, 讀取兩顆硬碟容量之和, 資料寫入方式為從頭到尾依序寫入硬碟空間. 注意: 若其中一顆硬碟發生故障, 所有資料都將遺失. 若以資料安全考慮, 建議使用RAID 1模式.
2. RAID 1: 兩顆硬碟鏡射, 資料同步備份, 只能讀取一個硬碟的容量. 注意: 若其中一顆硬碟發生故障, 資料不會因此遺失, 更換新硬碟後資料自動恢復重建產品正常使用.
3. RAID 0: 兩顆硬碟合併為一顆, 讀取兩顆硬碟容量之和, 速度較快 (以最小硬碟容量為基準), 資料寫入方式為打散同步寫入不同硬碟空間. 注意: 若其中一顆硬碟發生故障, 所有資料都將遺失. 若以資料安全考慮為主, 建議使用RAID 1模式.
4. NOR (PM): 兩顆硬碟獨立使用, 如果單顆硬碟故障時, 第二顆硬碟資料不會受到影響, 可獨立使用. 注意: 使用SATA連接時, 主機板控制卡必須支援port multiplier才能使用此功能. 如主機板控制卡未支援port multiplier, 則僅能使用一顆硬碟, 可購買SATA擴展卡來實現.

06

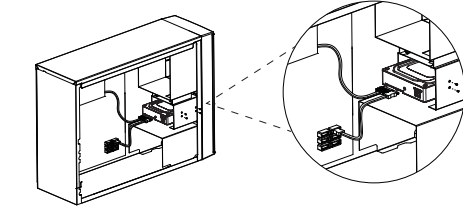
繁體中文

使用步驟:

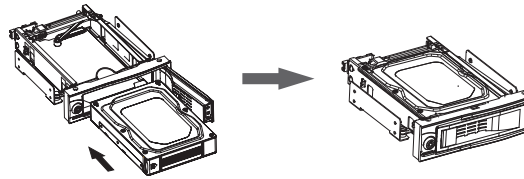
1. 先將RAID切換至所需位置, 而後將門扣按鈕向右推動, 打開門, 然後置入兩顆2.5" 硬盤到本產品盤位底端, 用力將門組壓下關門. 注意: 盤面向上, 接口端向裡面置入. 如圖所示:



2. A. 將本產品裝入到主機3.5" 硬盤槽位中, 每邊使用2個螺絲定位, 然後將主機SATA電源線插入產品SATA電源接口上, SATA數據線連接於電腦主機SATA接口與本產品SATA數據接口上. 如圖所示:



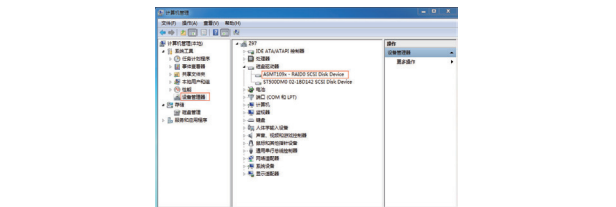
B. 亦可將本產品置於Wingsonic公司生產的3.5" 內置或外置的任一產品中, 如MRA201/401/602等產品. 如圖所示:



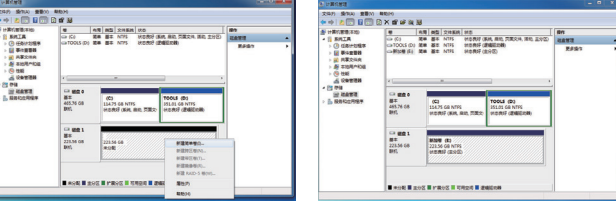
07

繁體中文

3. 電腦開機, 桌面右鍵點擊 "我的電腦 > 管理" 左邊視窗選擇 "設備管理器", 右邊視窗展開磁碟驅動器, 應可看到本產品磁碟相關信息. 如圖所示: ASMT109X-RAID0為本產品信息 (RAID0為當前RAID設置).



4. 在左邊視窗選擇 "磁碟管理" 對磁盤進行分區及格式化等操作. 如圖所示:



特別提示:

1. 變更RAID 模式: 在未通電的狀態下, 撥動RAID切換開關, 至對應的RAID模式後, 通電隨即變更RAID模式 (注意: 變更RAID 模式, 將會清除原硬碟內的資料內容, 請提前備份)
2. 使用中禁止撥動RAID切換開關, 將會導致硬碟資料遺失或損毀.
3. RAID 1重建程序中, 所需時間較長但不影響資料的儲存, 過程中傳輸速率會變慢, 屬於正常現象 (重建時間依硬碟大小不同而有差異)

備註

如因不當使用本產品進而造成其他相關設備故障, 本公司僅負責自屬產品之修繕責任, 其他設備既不負責. 更多產品相關資訊, 可參閱本公司官方網站 www.wingsonic.com.tw.

08